



CE



**TURKEY**  
Discover  
the potential

**SLN-04**  
**DOMESTIC OIL PRESS**

**Instruction Manual**



Prior to usage, please read the operation manual carefully, and keep it properly.

Health is determined by me!

# Domestic Oil Press

»» Contents

Notice to Customers	P02
Safety Caution during Operation	P03
The Characteristics of Oil Press	P05
Machine Parameters	P06
Table of Oil Yield of Main Raw Materials	P06
The Components of the Machine	P07
Accessory Name	P08
Operating Instructions	P09
Installation	P10
Materials Preparing	P11
The Steps for Oil Extraction	P12
Disassembling Method	P12
Common Problems and Solutions	P13
After-sales Support Services	P15

## Domestic Oil Press



### Notice to Customers

**Healthy oil,  
pressing it by yourself is more reliable!**

Dear customers, thank you for using the domestic oil press produced by the Company. Before using, please read this manual carefully, correctly master operating procedures and daily maintenance detailed rules and regulations to ensure use this product effectively, correctly and safely. We believe it will bring convenience and health to you and your family. Because of safe reasons, the Company will take limited liability for modification and adjustment of this product and abnormal use of this product without authorization.

Please keep this manual, so that you may read it at any time when necessary. If any problem occurs during use, please contact with the Company, and we will serve you wholeheartedly. Thanks for your support!



## Safety Caution during Operation

### I. Precautions for users:

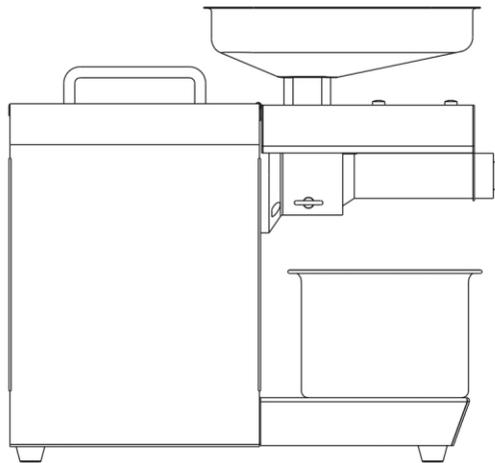
- 1) Before turning on this equipment, please confirm that you are familiar with correct operating steps to avoid any possible damage.
- 2) This equipment only can be used by any adult with knowledge of this manual. Children are strictly forbidden to operate the machine. If any matter not mentioned in this instruction occurs, please contact with our Company.

### II. Precautions for installation and use

- 1) The power supply voltage used by this equipment is 220V. Please use single-phase three-pole socket with reliable earthing protection. When connecting to the power supply, please ensure the power supply is safe and reliable. Do not unplug the power plug during normal operation of the equipment. Do not use the power plug when the power cord is damaged. Check if the power cord is complete on a regular basis.
- 2) The equipment can only be used by adults. Avoid any child or pet approaching it during operation. Those lacking knowledge of using this equipment can use it under the help of the persons being responsible for his/her safety and offering technical guidance for use this equipment. **Do not use raw materials by hands at the inlet!**
- 3) When this machine is working, working parts have higher temperature, you shall not touch them by hands just in case for being burnt. When washing the domestic oil press, pressing chamber, the pressing rod and especially the preheated parts have higher temperature, so you must wear safety gloves or when high temperature cools down firstly, then you can removed them for cleaning.
- 4) Keep away from high temperature, high humidity and naked flame. Avoid direct sunlight for long time. The equipment shall be placed on the platform for operations, which can bear the weight of the machine. When it is used, put it on the solid wood table or marble slab if it is possible, the hollow table will have a greater noise due to vibration. Maintain it horizontally positioned, do not knock on the machine.

- 5) The main machine cannot be washed with water, and the thinner cannot be used to wipe it. After the pressing chamber and the pressing rod are cleaned, load them directly after they are dried. When cleaning or cleaning the main machine, be sure to unplug the power plug.
- 6) This machine is suitable for household use, for commercial use, please purchase the commercial type oil press, if the household type is applied into the commercial use, the service for damage repair shall be paid.
- 7) After the oil extraction is completed, idle at least more than 1 minute until there is no slag, if necessary, it may be extended to more than 3 minutes and less than 10 minutes (in the case that the raw material is wet), if this step is omitted, it is quite possible that the screw cannot be easily removed from the pressing chamber.
- 8) If it is not used for a long time, please keep it in a dry and ventilated place, in order to prevent motor from wetting.

## »»» The Characteristics of Oil Press



- ★ Independently press the oil, enjoy the visible health
- ★ The oil extraction is simply completed with a key clicked
- ★ A high rate of oil, comparable to the level of the oil-extracting industry
- ★ Multiple selection for raw material, simple and convenient procurement
- ★ The extracted oil is safe, healthy, fresh, nutritional and can meet a variety of nutritional needs
- ★ Full stainless steel appearance, simple and easy, convenient and durable
- ★ The pressing chamber and the pressing rod is simple to disassemble, and easy to clean

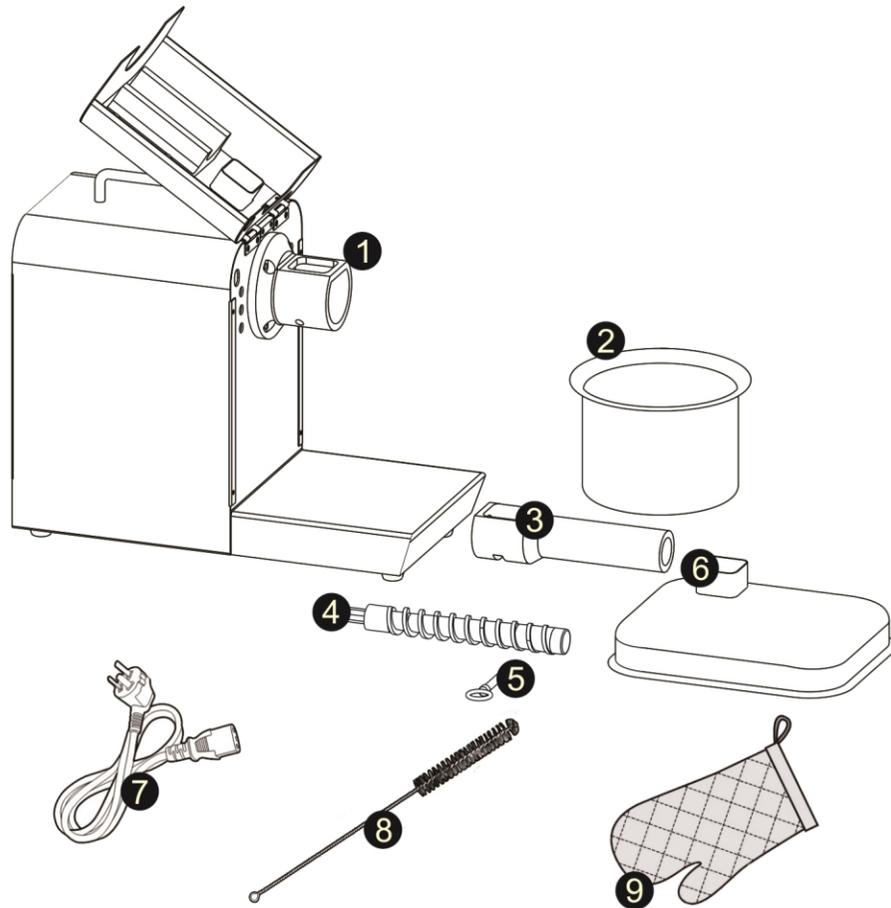
## »»» Machine Parameters

Product Model: SLN-04	Boundary dimension: 370*350*160mm
Total weight of machine: 11KG	Rated voltage: 220V, 110V
Frequency: 50Hz - 60Hz	Rated input power: 400-700W

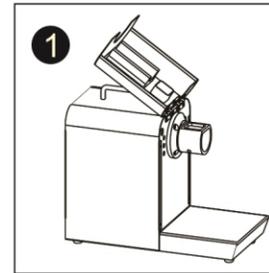
## »»» Table of Oil Yield of Main Raw Materials

Categories of raw materials	Oil-extracting rate	Categories of raw materials	Oil-extracting rate
Peanut	35% ~ 47%	Sunflower kernels	35% ~ 45%
Sesame	42% ~ 55%	Walnut kernel	45% ~ 55%
Rapeseed	27% ~ 35%	Flaxseed	28% ~ 35%
Tea seed kernel	28% ~ 35%	Pine nut kernel	55% ~ 72%

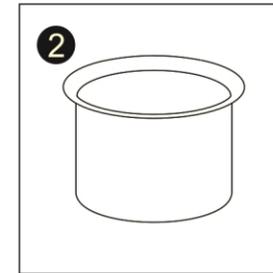
»»» The Components of the Machine



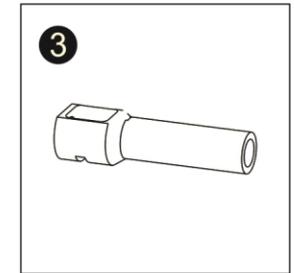
»»» Accessory Name



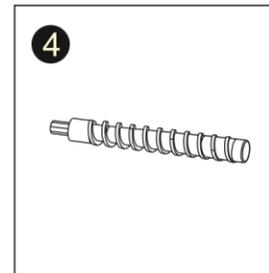
Name: Main machine



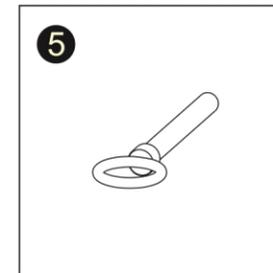
Name: Oil cup 14cm



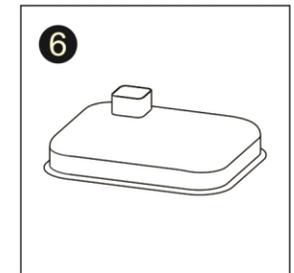
Name: Pressing chamber



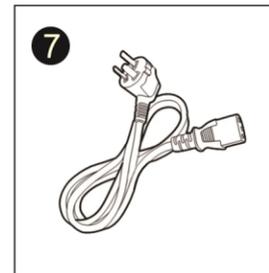
Name: Pressing rod



Name: Pin



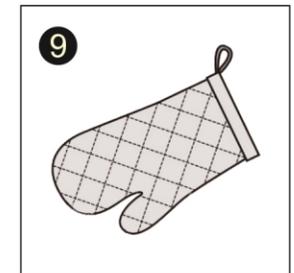
Name: Hopper



Name: Power line



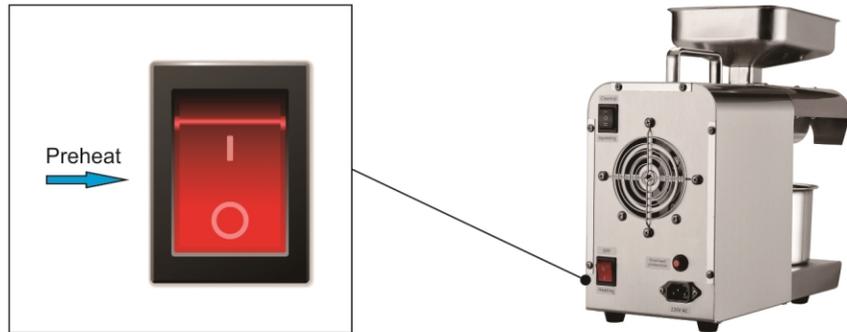
Name: Cleaning brush



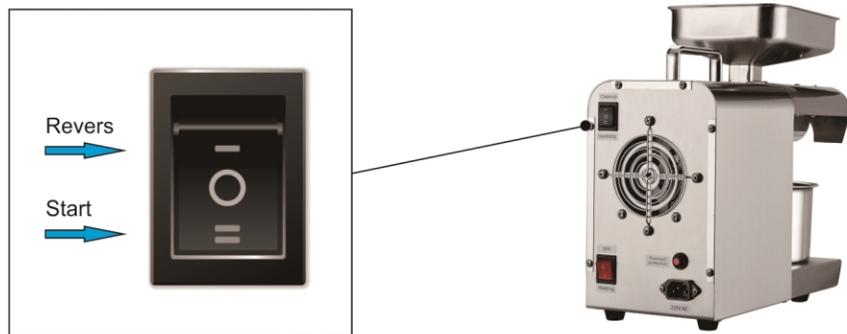
Name: Scald prevention gloves



## Operating Instructions



“Heating” function button is a preheating key, and for the fuel that is heat pressed, we need to heat the machine for 5-10 minutes before the oil extraction.



“Squeezing” is to start the oil press, the pressing rod runs in a clockwise direction, and this is the normal working condition. After the raw material is pressed, it rotates for another 3-10 minutes. Close this button after all the slag in the pressing chamber is completely discharged so that it is easy to remove the pressing chamber and the pressing rod. “Cleanup” is reversal of the oil press motor, the pressing rod runs in a counterclockwise direction, mainly used for cleaning the foreign bodies falling into the pressing chamber.



## Installation

Assemble the machine according to the following steps

<p><b>1</b> Open the front cover</p>	<p><b>2</b> Load the pressing rod into the motor shaft.</p>
<p><b>3</b> Set the pressing chamber into the pressing rod</p>	<p><b>4</b> Insert the latch</p>



## Materials Preparing

- 1)Dried peanuts: If the peanut is too wet, there will be much pulp powder, residue cannot be in strips, residue may fall off at the oil outlet, and the oil extraction will be relatively slow.
- 2)Fried (baked) peanuts: After blowing away the dust of peanuts, fry them to medium rare, when there is cracking sound in the pot, fry them for another 3-5 minutes to medium rare. Can use the med-high heat in the microwave oven to heat them for three to four minutes and turn them to heat them for another one to two minutes. Fried or roasted peanuts should be hot pressed; otherwise it will get a bad effect.
- 3)Sesame: The raw can be directly pressed. But if you like sesame oil with aromatic flavor, sesame can be fried until it gives out aromatic before pressing (tips: Because sesame particles are small, easy to stir burnt, spray less water on the sesame surface and then stir it until the water can be stirred up.)
- 4)For hard materials, such as beans, tea seed, walnut, roast them with a pan for a few minutes to soften the surface and then press them.
- 5)For those it is not necessary to heat for fear of destructing the nutrients, the raw materials can be directly pressed, such as flax seed, perilla seed, sunflower seed, etc. directly pour them into the pot and press them, but the machine needs to be pre-heated to start.
- 6)The raw materials that cannot be pressed: corn, olives, rice, pork, rice, etc.



## The Steps for Oil Extraction

- 1)Plug 220V power supply
- 2)Start preheat switch
- 3)Preheat for 5-10 minutes
- 4)Pour the raw materials into the hopper, press the start button to start the press (note: do not turn off the switch after the pre-heat, and the temperature can be automatically constant.)
- 5)Turn off the start button when there is completely no residue discharged after the raw material is pressed.
- 6)Let the extracted oil cool (about one to two hours), then it can be used for cooking. The precipitation bottom of the peanut oil is peanut butter, which can be used as seasoning.



## Disassembling Method

- 1)Place the oil that is just pressed, remove the hopper, and open the front cover.
- 2)Pull out the pin;
- 3)Take off the pressing chamber;
- 4)Take off the pressing rod.

**Note:** The working parts have higher temperature, and you must not touch them by hands just in case for being burnt. When washing the domestic oil press, pressing chamber, the pressing rod, especially preheated parts, have higher temperature, so you must wear safety gloves or when high temperature cools down firstly, then you can removed them for cleaning.



## Common Problems and Solutions

- ★ Raw material drops slowly, there are long residue strips at the residue outlet and residue is discharged at the oil outlet

This phenomenon is because the raw material is too wet. Wet raw materials should be dry fired and hot pressed;

- ★ A large amount of powder is emitted from the residue outlet or the oil outlet

Because the raw material is too dry. Dry raw materials can be watered or dry fried to make it "Softened" before they are pressed.

- ★ Foreign matter enters the material inlet

Immediately stop the machine, click the reversal button, remove the pressing chamber to clean out the foreign body after the foreign body and raw materials are removed and then continue working.

- ★ Machine jammed/motor stops rotating

If the raw materials poured is not used for oil extraction or the raw material is not suitable for cold pressing, heat it for 20 minutes and then start the motor; if it is not able to start, disassemble the pressing chamber, knocks out the pressing rod, clean out residues, fry the raw material soft before pressing.

- ★ Detached pressing rods cannot be taken out from the pressing chamber

Make it idle for 5 minutes after the machine is reinstalled

- ★ During operation, duration of power interruption exceeds 30 minutes above

Please do not continue feed. Turn off the power switch, unplug the power cord, clean visible raw materials in the outlet timely, and then when the power recovers, heat it up for 20 minutes and then restart the motor. Under normal circumstances, you can continue to press oil. If impossible, it is necessary to detach the pressing chamber and rod, and clean them until they can work after they are reinstalled.

**If aforesaid problems occur and you can't solve them by yourself, please call after-sales service for consulting.**



### Ingenious use of peanut residues

Peanut milk tea

**Raw material:** Peanut residues, sugar

**Preparation:** Place the peanut residues into stone mortar for grinding into powders, and then put them into a basin, add some water for 2-hour soaking, and filter peanut coat using gauze. Place the filtered peanut pulp on the fire, boil it with big fire, add some sugar and then boil it for 5 minutes, and then the peanut tea milk is made.

**Characteristics:** Peanut pulp, milky, fragrant and sweet and delicious, with effect of promoting production of body fluid and nourishing the lung.



## After-sales Support Services

**Technical services:** if you have any problem other than those described in using this product, you can dial telephone number of after-sales service, and the Company's professional technicians will answer all technical problems you encounter during use.

**Product service:** the Company provides free maintenance services within the warranty scope and other paid services outside the warranty scope.

**Warranty service:** the validity period of this oil press is one year as of the date of purchase.

1)When any quality problem occurs, replace it with another one of same model. If there are no other accessories of same model, then you can replace it with another one of the same series with the configuration not lower than that of the original one.

2)When maintaining original product, reply the customers within two working days since the faulty pieces are received.

### **Under the circumstances below, the Company will charge rationally for the services to be offered:**

1)The warranty period of the products is expired.

2)Cleaning bush, gloves, oil cup attached with this machine shall not be in the warranty range.

3)If the machine needs maintenance for its abnormality because you failed to operate it according to this manual.

4)If the maintenance staff not authorized by the Company repaired, changed or detached the machine.

5)Damaged due to force majeure.

6)It is used for some irrelevant occasions of oil pressing.

**Instructions: all documents and information of the Company are subject to change without notice. If any misunderstanding of the content of this material, the Company shall reserve the right of final interpretation.**

Health is determined by me!